

REV A
 SHEET
 DWG NO. 25-A-FFE-XX

SPECIFICATIONS:

25 WATT BI-DIRECTIONAL COAXIAL ATTENUATOR

POWER RATING: 25 WATTS MAXIMUM @ 40°C.

30 WATTS MAXIMUM @ 25°C.

CONNECTORS: IEC 7/16 FEMALE TRI-ALLOY PLATED

FREQUENCY RANGE & VSWR: DC TO 1GHz AT 1.10:1 MAX.

1GHz TO 4GHz AT 1.25:1 MAX.

IMPEDANCE: 50 OHMS, NOMINAL

AMBIENT TEMPERATURE RANGE: -40°C TO +40°C

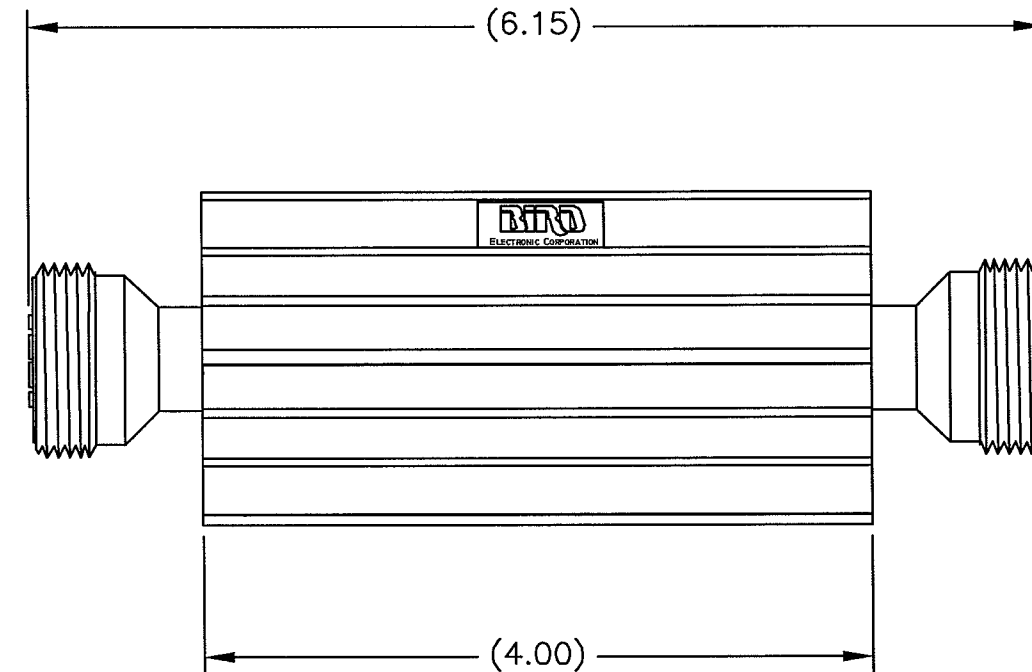
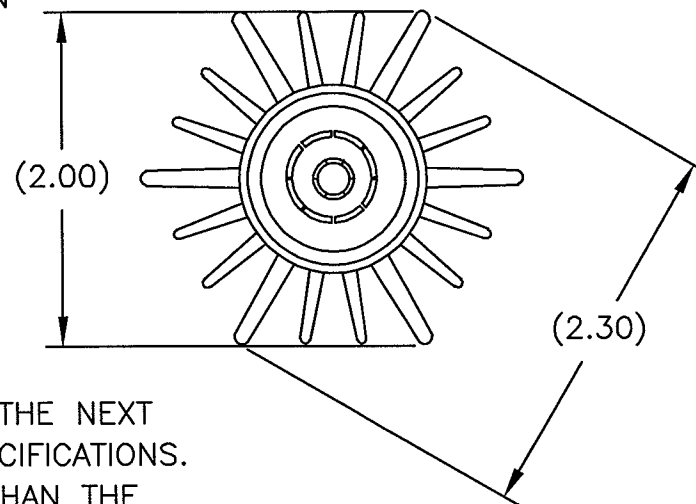
OPERATING POSITION: ANY

COOLANT: DRY (CONVECTION COOLED)

FINISH: BLACK ANODIZED COOLING FIN

NOMINAL SIZE: 6.15" L X 2.3" DIA.

WEIGHT: APPROX. 9 OZ.




NOTE:

FOR VALUES NOT LISTED, REFER TO THE NEXT HIGHER ATTENUATION LEVEL FOR SPECIFICATIONS. FOR ATTENUATION VALUES GREATER THAN THE HIGHEST LISTED ATTENUATION VALUE, REFER TO THE VALUE 1/2 THE DESIRED ATTENUATION LEVEL, THEN DOUBLE THE LISTED SPECIFICATION VALUES, UNLESS OTHERWISE SPECIFIED.

XX = DASH NUMBER (dB VALUE)

-30	30	±0.8 dB	±1.3 dB
-20	20	±0.5 dB	±1.0 dB
-10	10	±0.4 dB	±0.8 dB
-06	6	±0.4 dB	±0.6 dB
-03	3	±0.3 dB	±0.5 dB
-02	2	±0.3 dB	±0.5 dB
-01	1	±0.3 dB	±0.5 dB
DASH NO.	dB ATTEN.	DC - 1GHz ATTENUATOR	1 - 4GHz ACCURACY ±dB

REVISIONS				
ZONE	REV	DESCRIPTION	DATE	APPROVED
	A	ECN #0185	12-19-97	<i>MAR</i>

UNLESS OTHERWISE SPECIFIED DIMENSIONS ARE IN INCHES TOLERANCES ARE:		MILLIMETERS .X = ±.4 .XX = ±.12		THIS DRAWING IS THE PROPERTY OF THE BIRD ELECTRONIC CORPORATION. THE DESIGNS AND SPECIFICATIONS DISCLOSED HEREON ARE PROPRIETARY AND SHALL NOT BE REPRODUCED, NOR COPIED, NOR USED AS THE BASIS FOR THE MANUFACTURE OR SALE OF APPARATUS OR DEVICES WITHOUT THEIR EXPRESS WRITTEN CONSENT.		 BIRD Electronic Corporation Cleveland (Solon) Ohio USA	
FRACTIONS ± 1/64		DECIMALS .XX = ±.010 .XXX = ±.005	ANGLES ± 30'	DO NOT SCALE DRAWING		APPROVALS	
MATERIAL		DRAWN D.M.RINK		DATE 4-7-03		TITLE FINAL ASS'Y, ATTENUATOR IEC 7/16 FEMALE/FEMALE, 25W	
FINISH		APPROVED <i>MAR</i>		DATE <i>6-15-03</i>		SIZE B	FSCM NO. 70998
		AUTOCAD		DWG. NO. 25-A-FFE-XX		REV A	COMM CODE AT1
				SCALE 1:1		SHEET 1 OF 1	